



SUBMITTAL

EPOXY-LINED-SERIES
EPOXY-LINED STORAGE TANKS

Models: EPA-140 thru EPA-535
Submittal Sheet No. EPA-2020A

Date: 4/20

Job Name _____	Submitted By _____	Date _____
Location _____	Approved By _____	Date _____
_____	Order No. _____	Date _____
Engineer _____	Notes _____	
Contractor _____	_____	
Sales Rep. _____	_____	

Description

AA tanks EPA Epoxy Lined Storage Tanks are epoxy lined carbon steel vessels. They are designed for commercial and industrial systems that require internal protection that is more robust than traditional fabricated plain steel designs. The tanks are designed to store water for a potable water or a water heating system.

Construction

Shell: Carbon Steel
Interior: NSF Listed Epoxy
Exterior: Primer Painted

Performance Limitations

Maximum Design Temperature: 180°F
Maximum Design Pressure: 150 PSI

Model Number	Part Number	Gallon Capacity	Tagging Information	Quantity
EPA-140	35000140	140		
EPA-190	35000190	190		
EPA-225	35000225	225		
EPA-268	35000268	268		
EPA-320	35000320	320		
EPA-388	35000388	388		
EPA-375	35000375	375		
EPA-450	35000450	450		
EPA-535	35000535	535		

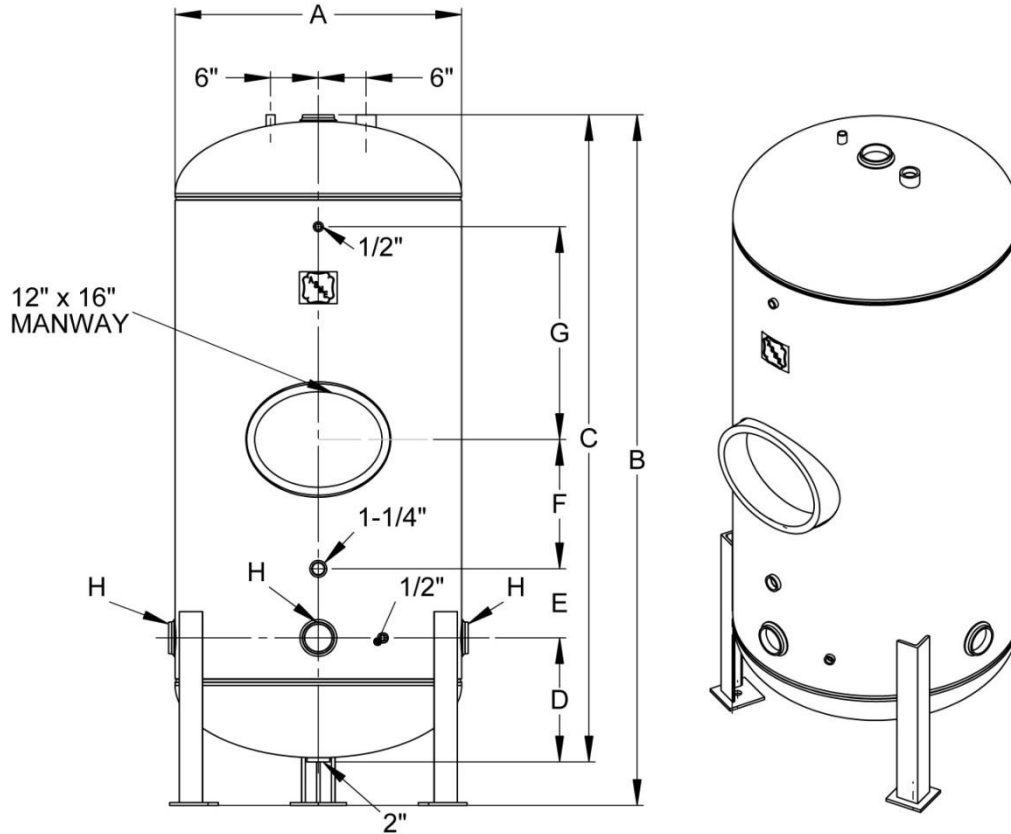
Typical Specification

Furnish and install, as shown on plans and described herein, an EPA-_____ epoxy lined storage tank as manufactured by AA tanks Company. The tank shall have the dimensions of _____" diameter by _____" (high/length) with a storage capacity of _____ gallons. The interior shall be properly prepared and sandblasted to white metal prior and shall be epoxy-lined with an NSF listed two-part epoxy coating. Epoxy coating shall be continuous over the entire inner surface of the tank. The exterior shall be primer painted. All models shall have a working pressure of 150 PSI and be fabricated to the most recent addendum of Section VIII Division 1 of the ASME Boiler and Pressure Vessel Code.

Each tank shall be AA tanks model number EA-_____ or approved equal.

25110 THOMAS DR • WARREN, MI 48091 • (586) 427-7700 • (586) 427-7895 FAX • www.aatanks.com





EPA-140 thru EPA-535

Dimensions & Weights

Model Number	Dimensions in Inches								Approx Shipping Wt (lbs)
	A	B	C	D	E	F	G	H	
EPA-140	24	81	75	16 7/8	10	16 1/4	28	2 1/2	350
EPA-190	30	72	66	18 3/4	8		17 3/4		460
EPA-225		84	78		10		27 3/4		510
EPA-268	36	74	68	21	6 3/4	22 1/4	17	3	810
EPA-320		86	80		8 3/4		26 3/4		890
EPA-388		99	93		9		33 3/4		900
EPA-375	42	76 3/4	70 3/4	23 1/2	6	14	18	3	980
EPA-450		89 3/4	83 3/4	22 1/4	9 3/4		28		1110
EPA-535		102	96	22 1/2			41 1/2		1225

Notes

- 3 angle legs on EPA-140 thru EPA-388
- 4 angle legs on EPA-375 thru EPA-535